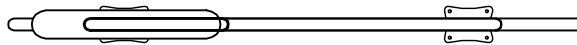
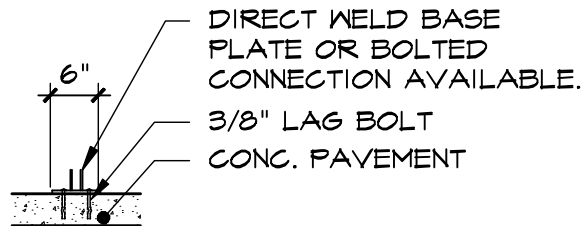


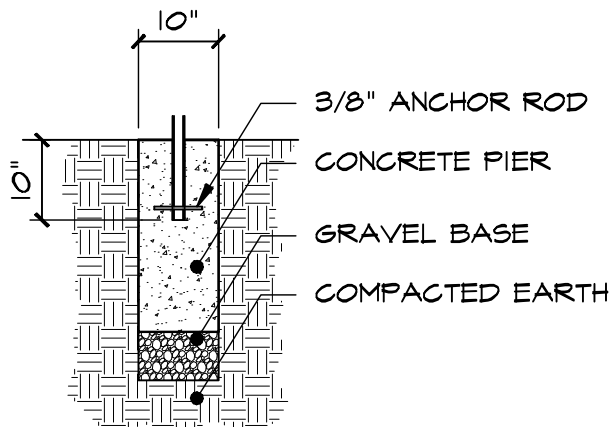
**ELEVATION**



**PLAN VIEW**



**SURFACE MOUNT**



**PIER MOUNT**