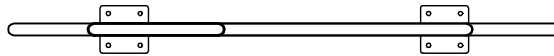
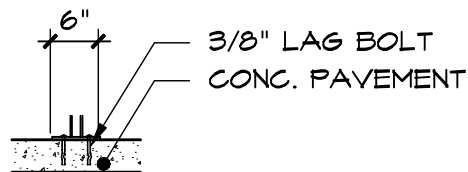


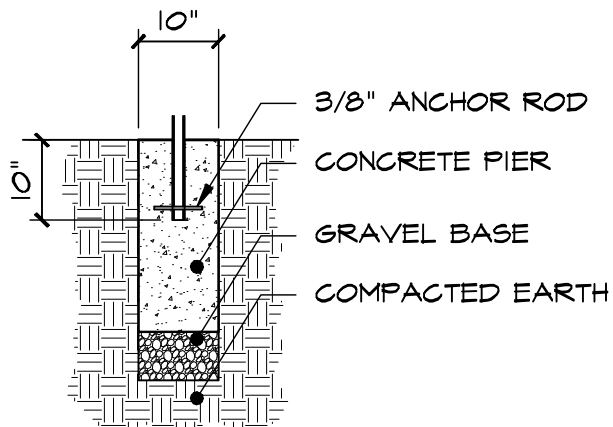
ELEVATION



PLAN VIEW



SURFACE MOUNT



PIER MOUNT